

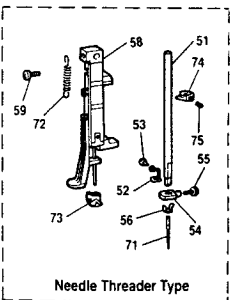
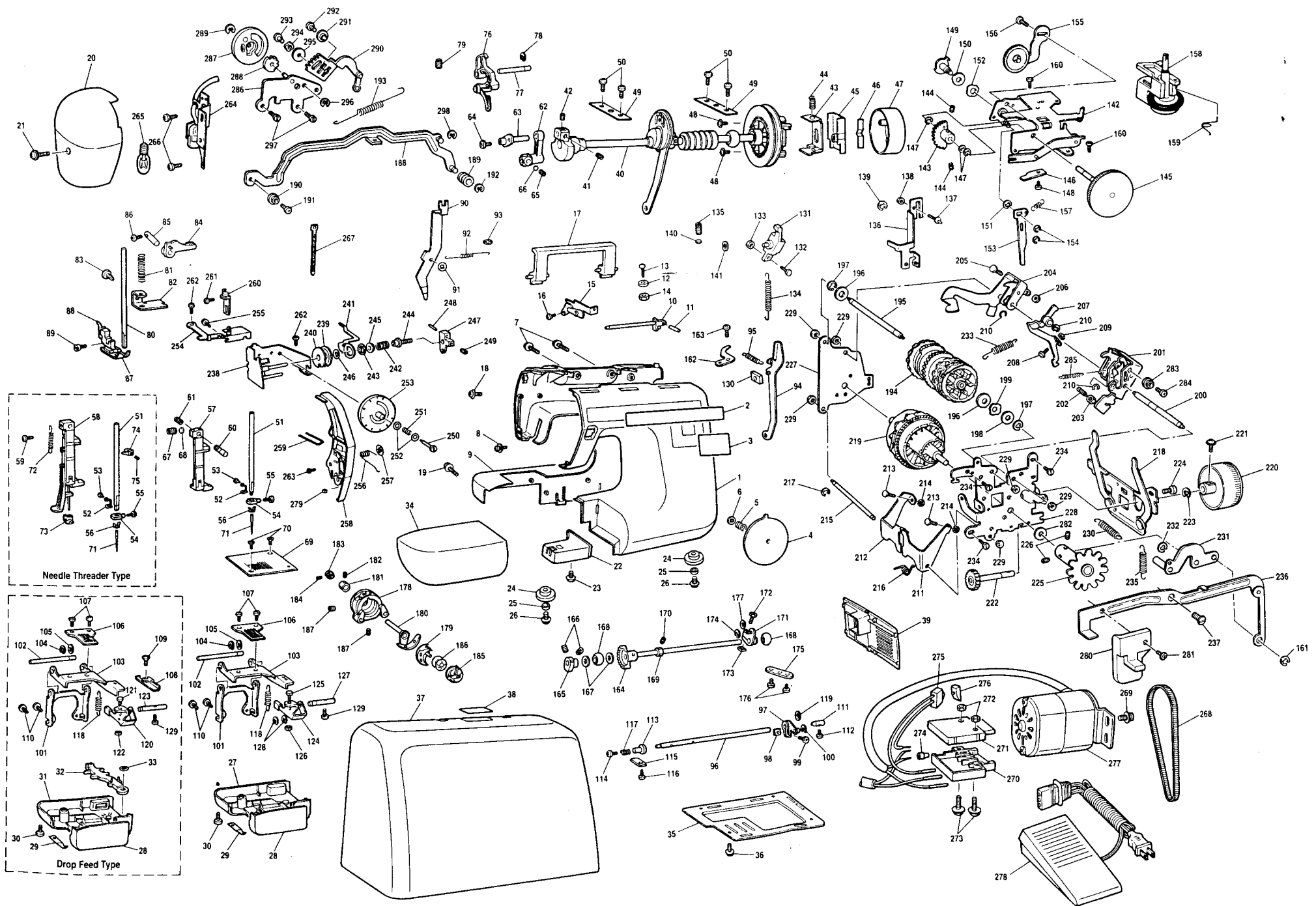
REF. NO.	PARTS NO.	PARTS NAME	REF. NO.	PARTS NO.	PARTS NAME
1	XA0033-051	Front cover	29	X53638-151	Spring
2	X59048-058	Decoration plate A (21 pattern)	30	052401-406	Screw
	X59048-060	Decoration plate A (15 pattern)	31	X59106-051	Bed cover
3	X59049-061	Decoration plate B (21 pattern U.S.A.)	32	X59348-051	Drop lever
	X59049-058	Decoration plate B (21 pattern)	33	138384-051	Stop ring
	X59049-063	Decoration plate B (15 pattern U.S.A.)	34	X59107-051	Accessory table
	X59049-060	Decoration plate B (15 pattern)	35	X59108-050	Base plate
4	X54442-058	Pattern indicator plate (21 pattern)		X59465-050	Base plate (dual motor)
	X54549-060	Pattern indicator plate (15 pattern)	36	X57908-051	Screw
5	X50223-051	Spring	37	X52769-552	Machine cover
6	146200-051	Stop ring	38	X52762-051	Medallion
7	087411-415	Screw	39	X59109-051	Switch cover A
8	053400-806	Screw	40	X59113-051	Upper shaft assembly
9	X59052-051	Rear cover	41	X54013-051	Screw
10	X59053-051	Spool pin	42	123006-051	Screw
11	X59054-051	Spool pin shaft	43	X59284-050	Clutch release
12	X54338-051	Bobbin presser	44	X59285-051	Spring
13	062301-616	Screw	45	X59286-051	Clutch release switch
14	021300-106	Nut	46	X59287-051	Spring
15	X59055-051	Thread guide assembly	47	X59289-051	Balance wheel
16	138433-051	Screw	48	136869-051	Screw
17	X59101-051	Carrying handle	49	X57907-051	Bushing presser
18	053400-806	Screw	50	X57908-051	Screw
19	052401-406	Screw	51	136872-151	Needle bar
20	X59058-051	Face plate	52	X50109-050	Needle bar thread guide
	X59486-051	Face plate (U.S.A.)	53	X53053-052	Screw
	X59487-051	Face plate (U.K.)	54	129627-051	Needle clamp
21	052401-406	Screw	55	131226-051	Needle clamp screw
22	X59100-051	Foot cover	56	125161-080	Needle guide plate
23	136869-051	Screw	57	X54366-150	Needle bar supporter
24	X58361-050	Rubber cushion	58	X54713-351	Needle bar supporter assembly
25	X56474-051	Spacer	59	060300-616	Screw
26	X57908-051	Screw	60	X54368-051	Needle bar supporter stud
27	X59103-051	Bed cover	61	X54369-051	Spring
28	X59104-051	Hinged door	62	X52650-151	Needle bar crank rod assembly

REF. NO.	PARTS NO.	PARTS NAME	REF. NO.	PARTS NO.	PARTS NAME
63	X59115-051	Needle bar crank	97	X54381-051	Horizontal feed shaft arm
64	132051-052	Screw	98	X54384-051	Nut
65	014680-432	Screw	99	X59255-051	Screw
66	100507-050	Metal plate	100	048050-346	Stop ring
67	014400-432	Screw	101	X57919-051	Horizontal feed plate
68	138607-050	Washer	102	X57920-051	Feed bar shaft
69	X57911-051	Zigzag needle plate	103	X59118-051	Feed bar
70	X50487-051	Screw	104	048030-346	Stop ring
71	100028-014	Needle	105	146200-051	Stop ring
	117914-114	Needle (Germany)	106	X54389-051	Feed dog
72	X50476-051	Spring	107	060300-416	Screw
73	X54817-152	Hook assembly	108	X59120-051	Feed plate cover
74	X52882-150	Thread positioner	109	061300-416	Screw
75	014400-432	Screw	110	060400-816	Screw
76	X52651-151	Thread take-up assembly	111	X54390-051	Taper point stud R
77	X59254-051	Thread take-up lever stud	112	X57913-051	Screw
78	048040-346	Stop ring	113	X54391-150	Taper point stud L
79	014400-632	Screw	114	062400-416	Screw
80	128437-050	Presser bar	115	137734-051	Presser plate A
81	X57914-051	Presser bar spring	116	X57908-051	Screw
82	X57915-051	Presser bar guide bracket	117	X56613-051	Spring
83	X57574-051	Screw	118	X54393-051	Spring
84	X51943-151	Presser foot lifter	119	X53330-050	Washer
85	X54552-051	Presser foot lifter stud	120	X59122-051	Vertical feed plate
86	X57913-051	Screw	121	X59124-051	Adjusting screw
87	138135-052	Zigzag presser foot	122	X56960-051	Nut
88	138134-051	Presser foot holder assembly	123	X59125-051	Vertical feed shaft
89	132730-151	Thumb screw	124	X54395-051	Vertical feed plate
90	X52653-151	Tension release plate C	125	X54397-051	Adjusting screw
91	120454-051	Stop ring	126	102571-056	Nut
92	X51946-051	Spring	127	X54398-151	Vertical feed shaft
93	120454-051	Stop ring	128	048050-346	Stop ring
94	X54375-051	Feed connecting rod	129	X57913-051	Screw
95	X54378-051	Spring	130	X55473-051	Slide block
96	X57917-051	Horizontal feed shaft	131	X59710-051	Feed regulator assembly

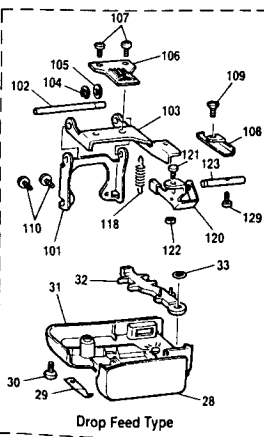
REF. NO.	PARTS NO.	PARTS NAME	REF. NO.	PARTS NO.	PARTS NAME
132	X59200-051	Screw	167	X51383-050	Washer
133	X56960-051	Nut	168	X52664-050	Lower shaft bushing
134	X59127-051	Spring	169	137768-151	Collar
135	014400-632	Screw	170	014400-432	Screw
136	X59604-051	Reverse sewing lever C	171	X57941-151	Lower shaft crank assembly
137	X59223-051	Screw	172	X59255-051	Screw
138	X56960-051	Nut	173	X54384-051	Nut
139	048040-346	Stop ring	174	048050-346	Stop ring
140	138607-050	Washer	175	X57943-051	Bushing presser
141	X53330-050	Washer	176	X57908-051	Screw
142	X59130-051	Feed bracket plate assembly	177	X53330-050	Washer
143	X51965-051	Feed dial gear A assembly	178	X56767-051	Shuttle race assembly
144	014400-432	Screw	179	128581-051	Shuttle hook
145	X59184-051	Feed regulating dial	180	X54429-051	Shuttle driver assembly
146	X54979-051	Spring	181	X54433-051	Collar
147	048040-346	Stop ring	182	014400-432	Screw
148	060400-416	Screw	183	X54514-050	Shuttle driver shaft gear
149	X57803-051	BH adjusting eccentric stud	184	151602-051	Screw
150	128491-051	Washer	185	128582-053	Bobbin case assembly
151	048050-346	Stop ring	186	X52800-050	Bobbin
152	X57150-051	Spring washer	187	014400-632	Screw
153	X57422-051	BH adjusting lever	188	X59732-051	Zigzag connecting rod assembly
154	048030-346	Stop ring	189	X59735-051	Zigzag connecting rod roller
155	X59198-051	Feed gear B assembly	190	X50559-050	Adjusting nut
156	060401-416	Screw	191	062301-006	Screw
157	X51978-051	Spring	192	048020-346	Stop ring
158	X59189-051	Bobbin winder assembly	193	X52005-151	Spring
159	X52102-051	Spring	194	X59143-051	Pattern cam assembly
160	X57908-051	Screw	195	X59788-051	Pattern cam shaft
161	048040-346	Stop ring	196	128491-051	Washer
162	X56887-051	Spring	197	048050-346	Stop ring
163	X57908-051	Screw	198	X59743-051	Washer
164	X58483-051	Lower shaft assembly	199	X59765-051	Spring washer
165	X54424-050	Vertical feed cam	200	X56863-051	Finger shaft
166	014400-432	Screw	201	X59736-051	Z finger frame assembly

REF. NO.	PARTS NO.	PARTS NAME	REF. NO.	PARTS NO.	PARTS NAME
202	125322-051	Screw	236	X59209-051	Reverse sewing lever assembly
203	021670-102	Nut	237	X59208-051	Stud screw
204	X59148-051	F finger frame assembly	238	X59164-051	Thread guard assembly
205	120258-051	Screw	239	129376-051	Tension disc
206	021670-102	Nut	240	108263-051	Tension disc
207	X52053-051	BHF finger assembly	241	X52122-051	Tension releaser B
208	120258-051	Screw	242	X55842-051	Spring
209	021670-102	Nut	243	137881-051	Tension disc washer
210	137191-051	Stop ring	244	X50765-251	Thread tension control screw
211	X52058-051	Spring	245	X50702-050	Spring washer
212	X54991-151	Release lever	246	025060-132	Washer
213	120258-051	Screw	247	X52643-050	Tension control nut
214	021670-102	Nut	248	047260-850	Spring pin
215	X52063-151	Release lever shaft	249	012400-432	Screw
216	X52064-051	Spring	250	X52120-051	Tension dial shaft
217	048040-346	Stop ring	251	X59290-051	Spring
218	X57485-051	Selecting lever holder assembly	252	226392-050	Washer
219	X58057-051	Selecting cam assembly (21 pattern)	253	X59166-051	Tension dial
	X58058-051	Selecting cam assembly (15 pattern)	254	X59167-051	Thread guard supporter plate
220	X59154-051	Selecting dial	255	060300-416	Screw
221	052401-406	Screw	256	X59168-051	Spring
222	X59155-051	Selecting gear	257	138384-051	Stop ring
223	048050-346	Stop ring	258	X59169-051	Thread guard cover
224	X57908-051	Screw	259	X59170-050	Thread guard wire
225	X59156-051	Indication gear	260	X59226-051	Bobbin winder thread guide assembly
226	014400-632	Screw	261	U12017-051	Screw
227	X56881-051	Unit base B assembly	262	X57908-051	Screw
228	X59609-051	Unit base F assembly	263	060400-816	Screw
229	021400-205	Nut	264	X59171-051	Sew-light assembly (110-120V)
230	X56886-051	Spring		X59291-051	Sew-light assembly (220-240V)
231	X59385-051	Reverse sewing lever B assembly	265	X53061-050	Sew-light bulb (110-120V)
232	048040-346	Stop ring		205336-050	Sew-light bulb (220-240V)
233	X56868-051	BHZ finger	266	X57908-051	Screw
234	X57908-051	Screw	267	X53169-050	Band
235	X59412-051	Spring	268	130944-051	Belt

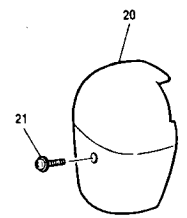
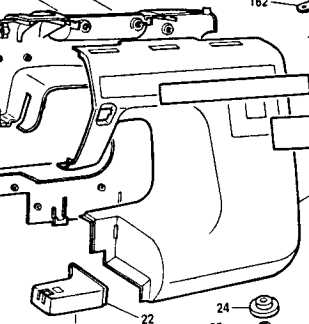
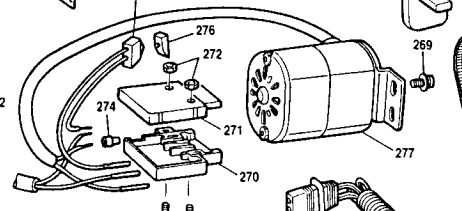
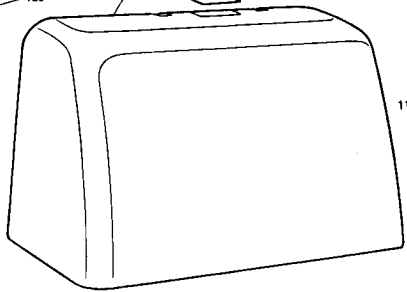
REF. NO.	PARTS NO.	PARTS NAME	REF. NO.	PARTS NO.	PARTS NAME
269	X55609-051	Screw	291	X54464-151	BH change shaft
270	X59176-051	3P socket body	292	048020-346	Stop ring
271	X59177-051	3P socket cover	293	048050-346	Stop ring
272	021400-205	Nut	294	X54461-051	Spring
273	052403-006	Screw	295	060400-616	Screw
274	214808-050	Connector	296	131428-051	BH lever plate
275	X59178-051	PW switch assembly (110-120V)	297	X57908-051	Screw
	X59337-051	PW switch assembly (220-240V)	298	X59138-051	BH stopper assembly
276	X57554-051	PW switch key-top	299	X50559-050	Adjusting nut
277	X57041-151	Motor complete (U.S.A.)	300	062301-006	Screw
	X55352-151	Motor complete (Canada)	301	X59741-051	Spring
	M131-278-346-42	Motor complete (220V)	302	X59723-051	Zigzag dial holder assembly
	M131-271-346-72	Motor complete (230V)	303	X59725-051	Zigzag dial
	M131-271-346-96	Motor complete (240V)	304	X59726-050	Zigzag dial gear
	J02051-051	Motor complete (110/220V)	305	048040-346	Stop ring
	J01694-051	Motor complete (110-120/220V)	306	X59727-051	Zigzag gear lever assembly
	J01719-051	Motor complete (127/220V)	307	X59730-051	Collar
278	J00360-051	Foot controller complete (U.S.A.)	308	060400-616	Screw
	J01367-051	Foot controller complete (Canada)	309	X59731-051	Stud
	J00016-051	Foot controller complete (220-240V)	310	137991-051	Spring washer
	J00492-051	Foot controller complete (U.K.)	311	025040-332	Washer
	J00921-051	Foot controller complete (Australia, New Zealand)	312	048030-346	Stop ring
	J00478-051	Foot controller complete (dual motor)	313	X57908-051	Screw
279	X59786-050	Gum	314	048030-346	Stop ring
280	X59134-051	Reverse sewing button		128215-051	Buttonhole foot (1 pc.)
281	X57884-051	Screw		X59370-051	Zipper foot (1 pc.)
282	X53330-050	Washer		X59375-051	Button sewing foot (1 pc.)
283	136994-351	BH change arm		X57117-051	Needle pack (regular single needle No.14) (3 pcs.)
284	014400-432	Screw		X57521-051	Twin needle (1 pc.)
285	136996-151	BH notched spring plate		X52800-050	Bobbin (3 pcs.)
286	136997-051	BH spring		131865-051	Darning plate (1 pc.)
287	025350-332	Washer		X55467-051	Screw driver (large) (1 pc.)
288	060400-816	Screw		X55468-051	Screw driver (small) (1 pc.)
289	X54458-151	BH stopper plate assembly		130920-051	Extra spool pin (1 pc.)
290	X57236-051	BH lever assembly			



Needle Threader Type



Drop Feed Type



REF. NO.	PARTS NO.	PARTS NAME
	130012-053	Spool holder (large) (1 pc.)
	130013-053	Spool holder (small) (1 pc.)
	X55465-051	Oiler
	X59372-051	Blind stitch foot
	X59476-051	Cleaning brush